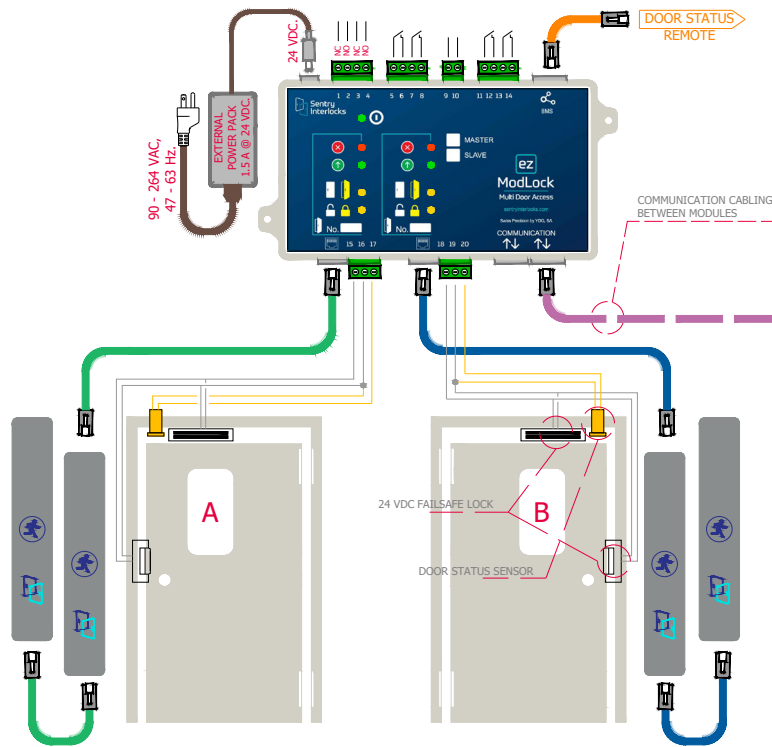


## Product Description

- EZ ModLock – Multi Door Access module provides a solution for the “mantraps” having automatic doors and/or normally locked manual doors to be unlocked by simple push buttons, wave sensors or access control devices such as card swipe, badge readers, numeric keypad, etc.
- EZ ModLock – Multi Door Access can manage manual swing doors, manual sliding doors, automatic swing doors, automatic sliding doors or automatic roll-up doors.
- The interactive LEDs on the module indicate real-time door status, electric lock status as well as the door indicator status. The EZ ModLock – Multi Door Access module can manage any 24VDC failsafe electric lock and can interlock automatic doors from any vendor.
- A single EZ ModLock – Multi Door Access module can manage 2 doors but is part of a modular system in which 4 additional modules can be connected to manage a complex “mantrap” of up to 10 doors.
- Twelve DIP switches are located on the rear of the module and are used to control the door logic. There is a chart that illustrates to the installer how to set the Master–Slave logic in the case of multiple interlocking door applications.
- The key features of the EZ ModLock – Multi Door Access module are the managing of automatic door interlocking and the interlocking of manual doors with access control devices. Installers, through the DIP switch configuration, can easily assign proprieties (whether the door is automatic or manual with access control devices) to the doors. The wiring of any type of access control device having a dry contact output, and the wiring of any communication with the automatic door is performed by landing wires on the removable terminal blocks on the module.
- Every module ships with 2 dry contact relay outputs that replicate door status and can be connected to the digital inputs of a Building Management System (BMS) for the monitoring and analysis of door operations.
- Optional Accessories include Door Lock Status Indicators, Door Control Pushbuttons and Emergency Override Switches



### EZ ModLock – Multi Door Access Product Specifications

Part Number	EZMLMDAA1
Power Requirements	24VDC, 1.5 amps
Power Supply	UL Listed, 90-264VAC to 24VDC, 47-63Hz, 1.5A
Module Dimensions (H x W x D)	3.75" x 6.3" x 1.5" (95 x 160 x 38mm)
Module Material	Plastic with integrated mounting ears
Connections	Door 1 and Door 2: Cat 5 cable with RJ45 connector Communication 1: Cat 5 cable with RJ45 connector Communication 2: Cat 5 cable with RJ45 connector Removable Terminal Strip: 14 screw terminal strip on top and qty 2-3 screw terminal strip on bottom BMS: Cat 5 cable with RJ45 connector
LED Indicators	Door status, electric lock status, door indicator status
Number of Doors Connected/Managed	2/2 (an additional four EZ ModLock – Multi Door Basic, Multi Door Access or Multi Door Timer modules allow up to 10 doors to be managed)
Door Opening Logic	L1, L2, L3 (L4 is available as a custom adder)
Door Opening Logic Programming	Qty 12 DIP switches
Door Initial State	Normally unlocked / Normally locked
Automated Door Management	Yes
Power Supply for Door Opening Accessories	24VDC supplied via terminal strip
Warranty	2-year limited warranty